

Spezialbeschichtung

Powder Coating



Installation requirements

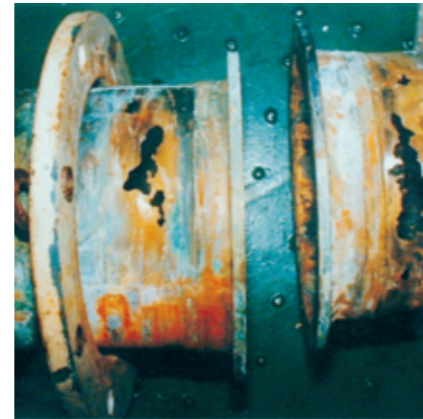
How to avoid galvanic corrosion between titanium plate cooler and copper nickel pipe systems.

Problem

Because of the different galvanic potentials Copper Nickel will be destroyed within a short period if no insulation steps are carried out.



Wrong installation of a copper nickel pipe and titanium plate cooler



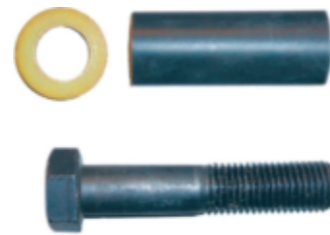
Damages of a copper nickel pipe after six month because of non insulation

Solution

Insulation up to the next flange connection by screws with shrinking hoses, insulating disc made from plastic and powder coating of the copper nickel pipeline up to the next flange connection.



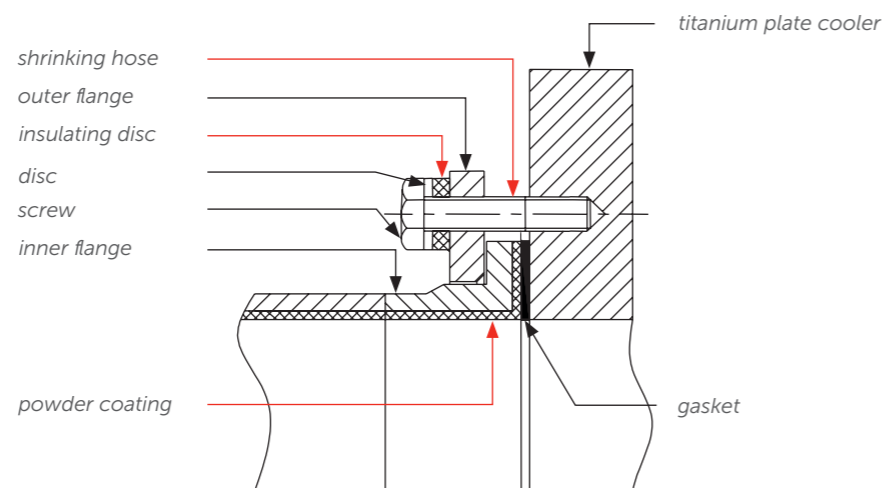
Powder coated copper nickel pipe



Screw with shrinking hose and insulating disc

Advantages

- no galvanic corrosion
- no erosion by sharp edge turbulences



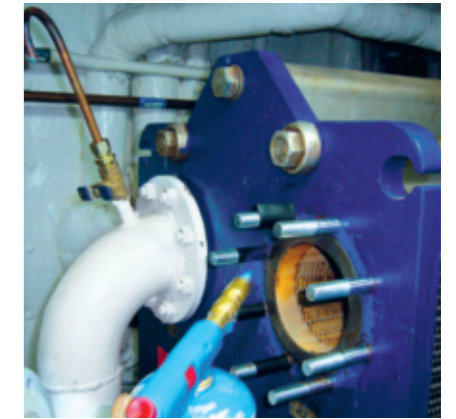
Installation Guidelines



Powder coated pipeline



Shuffle the shrinking hose about the bolt



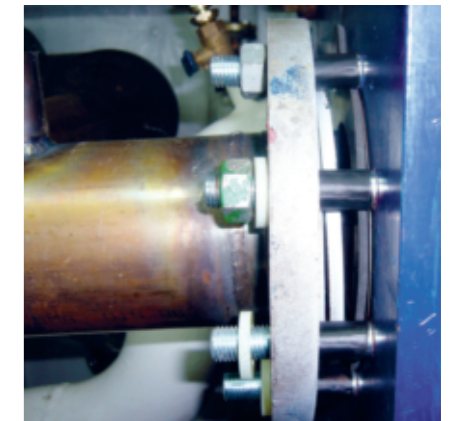
Heat the shrinking hose, so that the shrinking hose is tight around the bolt



Install the sealing



Shuffle the plastic insulating disc about the bolt



Mounting of the nut